



Engineering labeling solutions.



**UNIVERSAL**  
labeling systems

3501 8th Avenue South • St. Petersburg, FL 33711  
North America 1-877-236-0266 • International 727-327-2123  
[universal1.com](http://universal1.com)

# EVERYTHING WE ARE GOES INTO EVERYTHING WE DO.

We are labeling machinery. Since 1984, at Universal Labeling Systems, it's all we do.

We are the premier designer and builder of pressure sensitive labeling machinery. No one designs and builds more custom, made-to-order labeling machines than ULS. All labeling machines are designed and built in the USA at our St. Petersburg, Florida facility. Your labeler is sold and supported through a worldwide network of authorized distributors.

From low volume table top labeling machines to high volume zero down time labeling systems, our labelers are designed, manufactured, and tested with one purpose in mind... you and your labeling machinery needs.

And at Universal, we do more than talk as our Performance Guarantee states:

"All labeling machines manufactured by Universal Labeling Systems carries a 30-day performance guarantee. If your labeling machine does not perform as stated, we will take your machine back and reimburse you in full."

Since 1984, we continue to honor this pledge.



**UNIVERSAL**  
labeling systems

Engineering  
Labeling Solutions.



## LABEL APPLICATORS

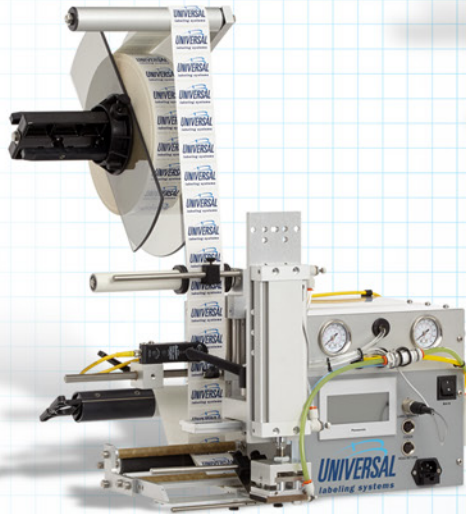
### SL1500 Wipe-on Applicator

- High-performance Stepper motor
- Digital control package
- Multi-level menu
- Label dispense speed up to: 1500 ipm (38100 mm)
- Web width: 6.25" (158.75 mm)
- Photoelectric label sensor
- 12" (304.8 mm) diameter label supply, 3" (76.2 mm) core
- Adjustable peeler bar assembly



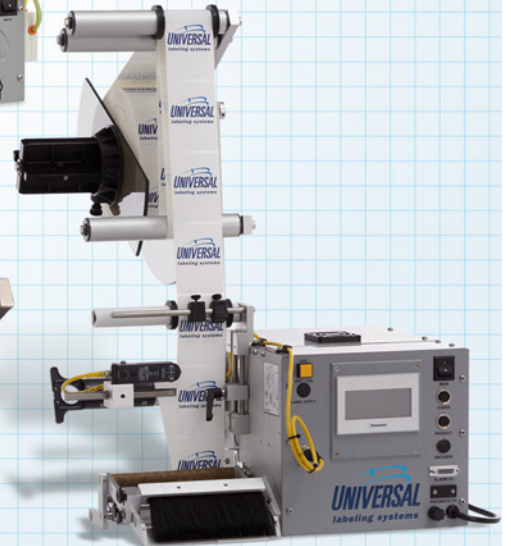
### SL2000 High-Speed Wipe-on Applicator

- High-performance Stepper motor
- Digital control package
- Multi-level operator menu
- Label dispense speed up to 3000 ipm (76200 mm)
- Web width 6.25" (158.75 mm)
- Photoelectric label sensor
- 16" (406.4 mm) roll capacity, 3" core (76.2 mm)
- Adjustable peeler bar assembly



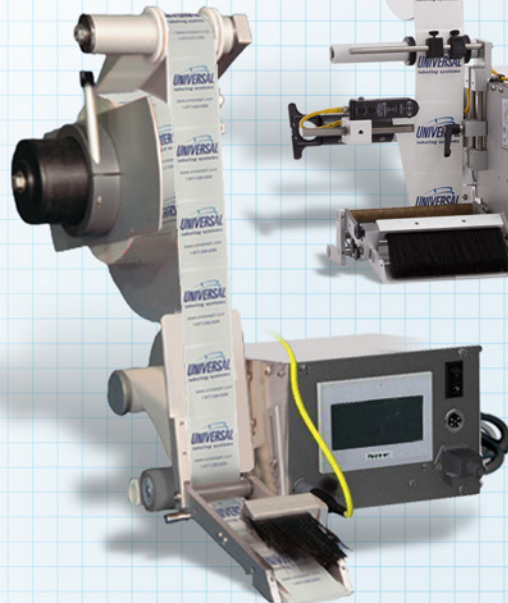
### L60 Tamp Label Applicator

- Stepper driven
- Touchscreen operator interface
- PLC controlled
- Tamp/tamp-blow
- "Quick change" tamp heads
- Label dispense speed up to 600 ipm (15240 mm)
- Photoelectric label sensor
- Web width 6.5" (165.1 mm)
- 12" (304.8 mm) roll capacity, 3" (76.2 mm) core



### L15 Wipe-On Applicator

- Stepper driven
- Touchscreen operator interface
- PLC controlled
- Label dispense speed up to 1300 ipm (33020 mm)
- Photoelectric label sensor
- 6.5" wide web capacity (165.1 mm)
- Product detection delay (ON delay)
- Label stop delay (OFF delay)
- Product counter
- 12" (304.8 mm) diameter label supply, 3" (76.2 mm) core



### L30 Wipe-On Applicator

- Stepper driven
- Touchscreen operator interface
- PLC controlled
- Label dispense speed up to 800 ipm (20320 mm)
- Photoelectric label sensor
- 2.625" (66.675 mm) wide web capacity
- Product detection delay (ON delay)
- Label stop delay (OFF delay)
- Product counter
- 10" (254 mm) roll capacity, 3" (76.2 mm) core



# INLINE LABELING SYSTEMS

## CP2000 Front & Back Contract Packager System

- Heavy-duty system framework
- 6" (152.4 mm) wide x 12' (3657.6 mm) long Delrin chain conveyor
- All AC drives
- Product metering wheel
- Synchronous product positioning device
- Synchronous overhead hold down
- Photoelectric product sensor
- Two high-speed SL 2000 stepper-driven label applicators
- Label dispense speed up to 3000 ipm (76200 mm)
- Encoder with speed following control
- Secondary label wipe-down devices
- 6.25" wide web capacity (158.75 mm)
- 16" (406.4 mm) roll capacity, 3" core (76.2 mm)
- Job save option
- UL certified NEMA 12 control enclosure with multi-level menu system

## CP1000 Front & Back Contract Packager System

- Heavy-duty system framework
- 6" (152.4 mm) wide x 12' (3657.6 mm) long Delrin chain conveyor
- All AC drives
- Product metering wheel
- Synchronous product positioning device
- Synchronous overhead hold down
- Photoelectric product sensor
- Two SL 1500 stepper-driven label applicators
- Label dispense speed up to: 1500 ipm (38100 mm)
- Encoder with speed following control
- Secondary label wipe-down devices
- 6.25" wide web capacity (158.75 mm)
- 12" (304.8 mm) diameter label supply, 3" (76.2 mm)
- Job save option
- UL certified NEMA 12 control enclosure with multi-level menu system

## R322 High-Speed Round Product System

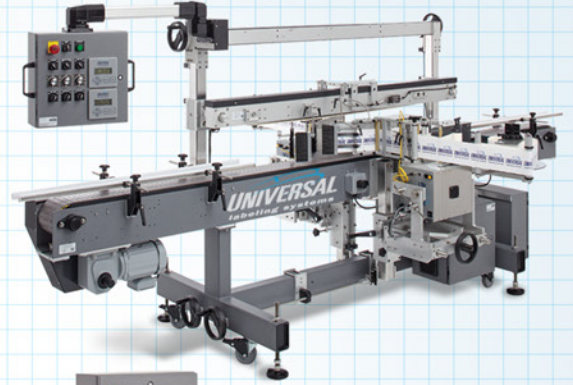
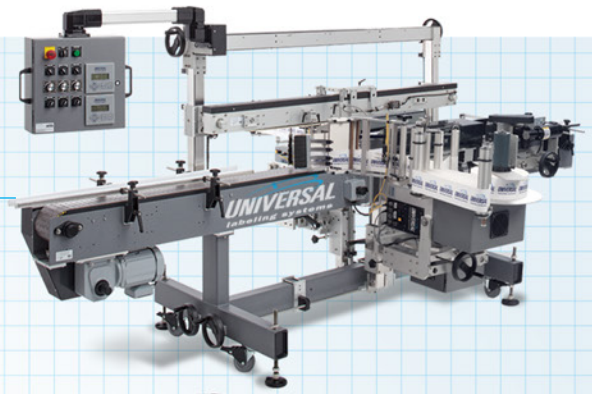
- Heavy-duty system framework
- 6" (152.4 mm) wide x 8' (2438.4 mm) long Delrin chain conveyor
- All AC drives
- Product metering wheel
- Photoelectric product sensor
- High-speed SL 2000 stepper driven label applicator
- Encoder with speed following from wrap station to SL2000
- 6.25" wide web capacity (158.75 mm)
- 16" (406.4 mm) roll capacity, 3" core (76.2 mm)
- Label dispense speed up to 3000 ipm (76200 mm)
- 15" (381 mm) long label wrapping station
- Job save option
- UL certified NEMA 12 control enclosure with multi-level menu system

## R321 Round Product System

- Heavy-duty system framework
- 6" (152.4 mm) wide x 6' (1828.8 mm) long Delrin chain conveyor
- All AC drives
- Product metering wheel
- Photoelectric product sensor
- SL1500 stepper driven label applicator with digital controls
- Encoder with with speed following from wrap station to SL1500
- 6.25" wide web capacity (158.75 mm)
- 12" (304.8 mm) diameter label supply, 3" (76.2 mm) core
- Label dispense speed up to: 1500 ipm (38100 mm)
- 15" (381 mm) long label wrapping station
- Job save option
- UL certified NEMA 12 control enclosure with multi-level menu system

## R320 Round Product System

- Heavy-duty system framework
- 6" (152.4 mm) wide x 6' (1828.8 mm) long Delrin chain conveyor
- All AC drives
- Product metering wheel
- Photoelectric product sensor
- L15 stepper driven label applicator
- 6.5" wide web capacity (165.1 mm)
- 12" (304.8 mm) diameter label supply, 3" (76.2 mm) core
- Label dispense speed up to 1300 ipm (33020 mm)
- 15" (381 mm) long label wrapping station
- UL certified NEMA 12 control enclosure



# NOW YOU HAVE A REAL CHOICE IN PRINT & APPLY LABELING.

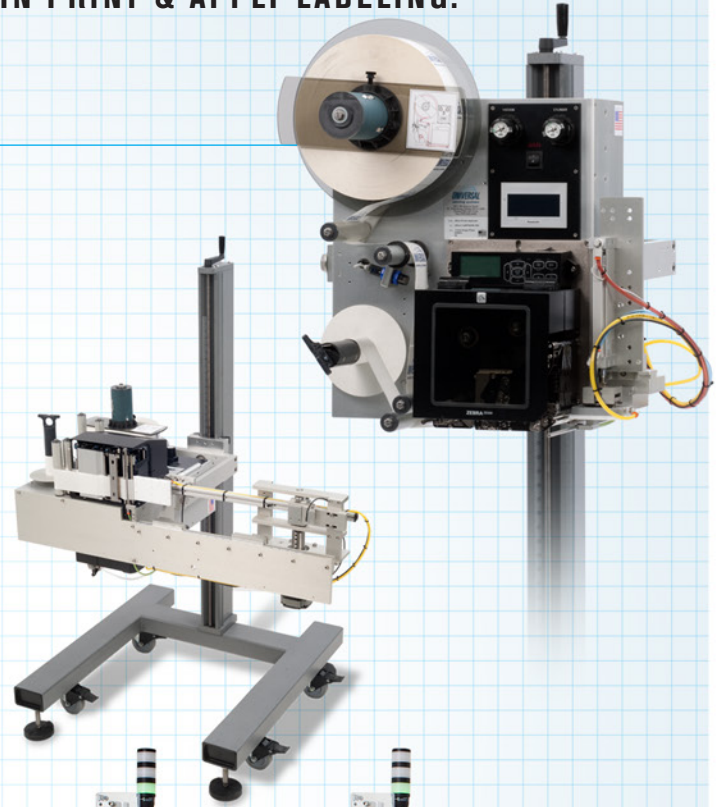
## PNEUMATIC

### UPA II Features:

- Industrial-strength Print & Apply
- Easy-to-use operator touchscreen
- Programmable Logic Controller (PLC)
- "Quick change" Tamp head
- Removable tamp head assembly for easy access to print engine.
- Proximity sensor in head "smart head"
- Label out condition
- 12" (304.8 mm) diameter label supply, 3" (76.2 mm)
- Bar code compatible / RFID ready

### UPA II Options:

- Label on head detection
- 3-tier light tree with system fault indicators to include label low, ribbon low, and ribbon out conditions
- External signal output
- Allen Bradley Micro 850 PLC
- Tamp/blow applicator
- Wipe-on applicator
- Radio Frequency Identification (RFID)
- UPA IIe all electric (stepper driven)



## ALL ELECTRIC

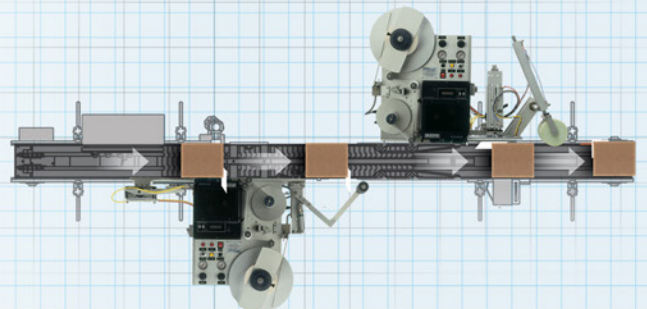
### UPA II Additional Features:

- Energy-saving all-electric system
- 25% faster than that of pneumatic print & apply
- Rugged industrial components with no fans
- Electronically adjusted stroke cylinder up to 14" (355.6 mm)



### UPA II Corner Leading (CL) and CornerTrailing (CT)

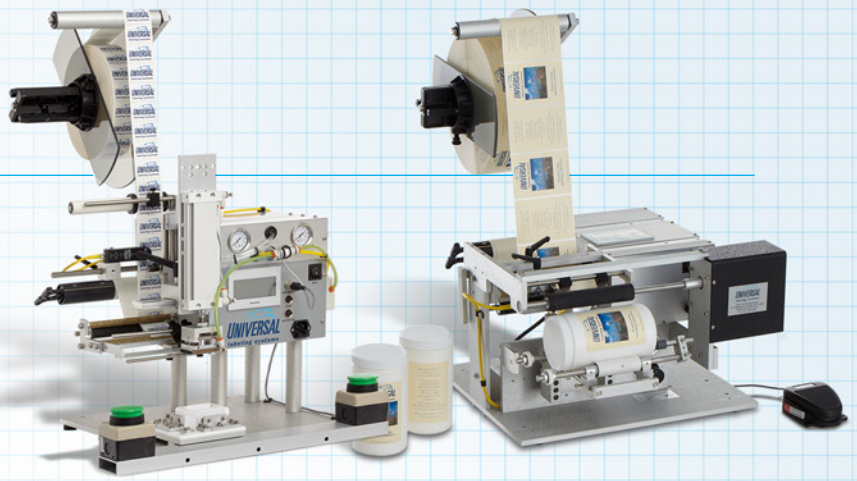
- Programmable Logic Controller (PLC) operational interface
- Swing arm or pneumatic wipe down mechanism
- Heavy duty U or T base stand
- Multiple swing arm options based on your application



# TABLE TOP LABELING SYSTEMS

## R310 Semi-automatic Round Product Labeling System

- Stepper driven
- Single or front & back labeling
- Programmable Logic Controller (PLC)
- Touch Screen Operator Interface
- Adjustable product carriage .375"-6" diameter (9.525 mm – 152.4 mm)
- Photoelectric label sensor
- "Roaming peeler"
- 6.75" wide web capacity (171.45 mm)
- .625" minimum label length required (15.875 mm)
- 12" (304.8 mm) diameter label supply, 3" (76.2 mm) core
- Product counter
- Foot switch activation



## L60 Semi-Automatic Tamp System

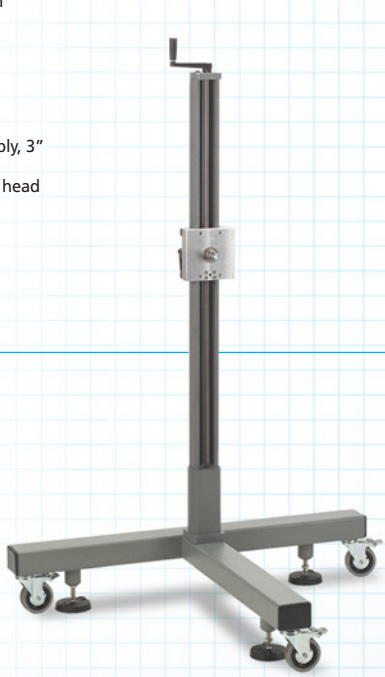
- Stepper Driven
- Programmable Logic Controller (PLC)
- Touch Screen Operator Interface
- Label dispense speed up to 600 ipm (15240 mm)
- Photoelectric label sensor
- Tamp dwell control
- 6.5" wide web capacity (165.1 mm)
- Product detection delay (ON delay)
- Label stop delay (OFF delay)
- 12" (304.8 mm) diameter label supply, 3" (76.2 mm) core
- Includes one "quick change" Tamp head
- Foot switch activation

# ACCESSORIES



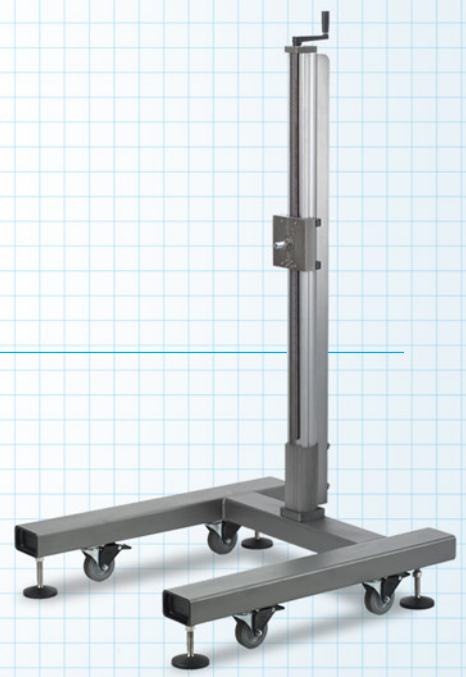
## C205 Hot Stamp Imprinter

- 1.25" by 1.5" imprint area ( 31.75 mm by 38.1 mm)
- Supports industry standard type
- Includes spacer set
- Rotate type inside holder
- Can be integrated with all Universal labeling applicators & systems



## Heavy Duty T-Base Stand

- Vertical height adjustment
- 4" (101.6 mm) diameter locking casters
- Leveling pads
- Includes L Bracket for L15, L30, L60 & SL1500 or Yoke Mount for SL2000 & UPA Series

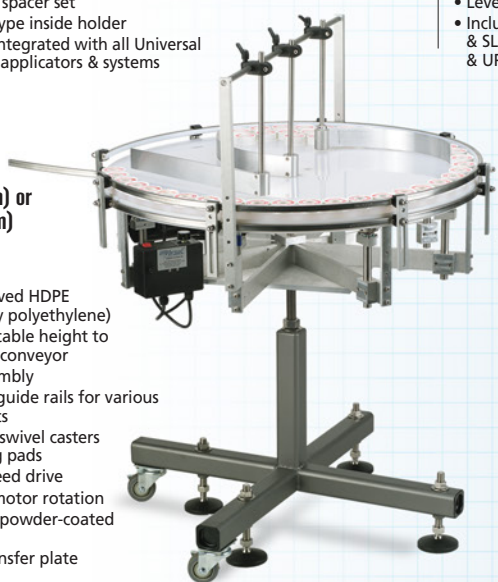


## Heavy Duty U-Base Stand

- Vertical height adjustment
- 4" (101.6) diameter locking casters
- Leveling pads
- Includes L Bracket for L15, L30, L60 & SL1500 or Yoke Mount for SL2000 & UPA Series

## 36" (914.14 mm) or 48" (1219.2 mm) Feeder Table

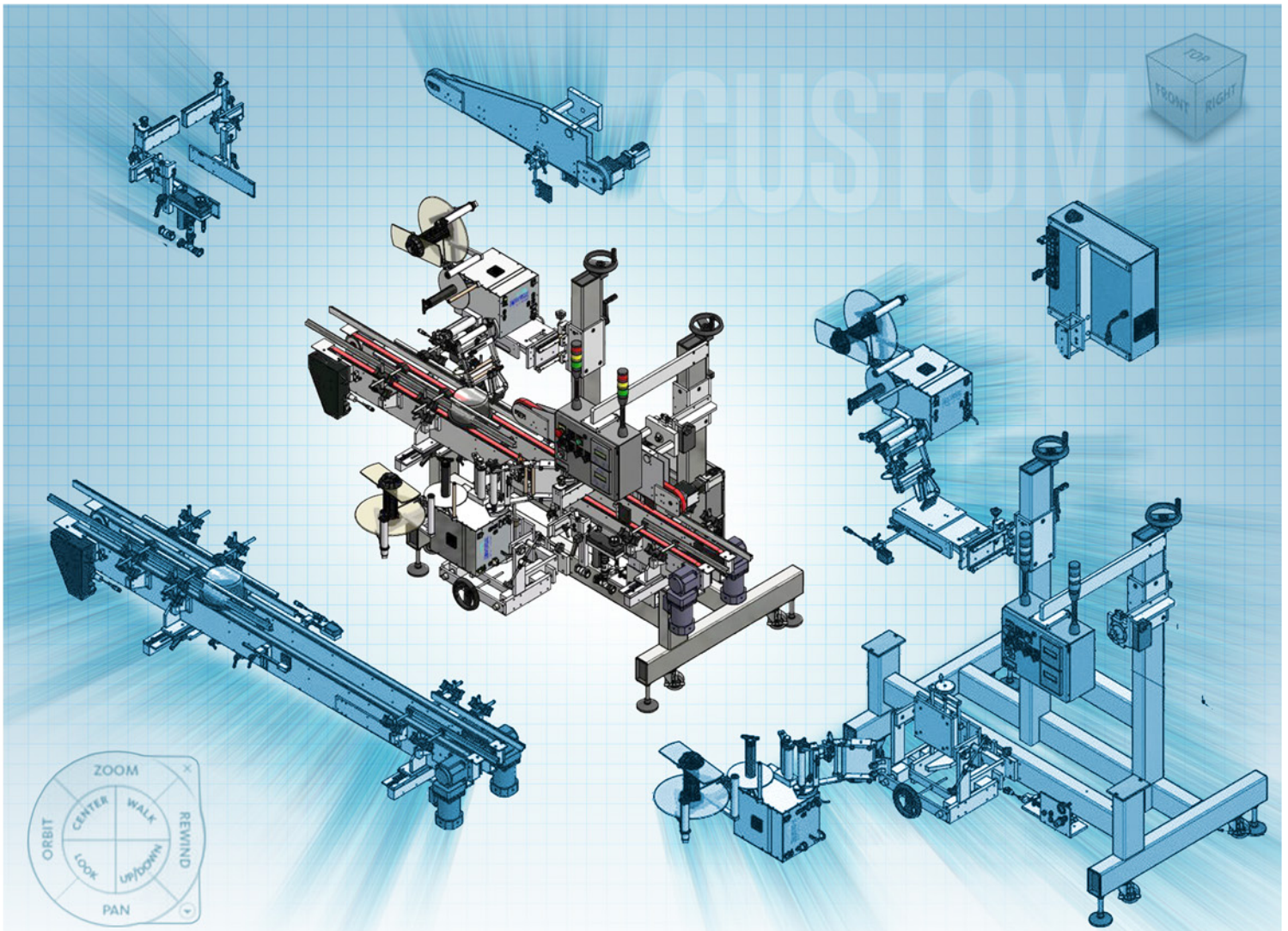
- (FDA approved HDPE high-density polyethylene)
- Adjustable table height to match your conveyor
- Feeder assembly
- Adjustable guide rails for various size products
- Heavy duty swivel casters and leveling pads
- Variable speed drive
- Reversible motor rotation
- Heavy duty powder-coated base
- Includes transfer plate



## 36" (914.14 mm) or 48" (1219.2 mm) Accumulating Table

- (FDA approved HDPE high-density polyethylene)
- Adjustable table height to match your conveyor
- Heavy duty swivel casters and leveling pads
- Variable speed drive
- Reversible motor rotation
- Heavy duty powder-coated base
- Includes transfer plate





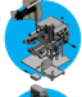
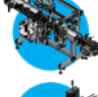










**MADE-TO-ORDER LABELING APPLICATIONS**

- Automotive
- Cannabis
- Dairy / Juice
- Medical
- Bottling
- Chemicals / Cleaners
- Food / Bakery
- Pharmaceutical
- Bucket / Pail
- Craft Beer / Wine
- Health & Beauty
- Your Application

**MADE-TO-ORDER LABELING SYSTEMS**

- |   |  |  |
|---|--|--|
|  Break-Away Tamp Systems |  Interrupted Belt Systems |  Tamp Seal Systems        |
|  Flag Labeling Systems   |  Multi-Panel Systems      |  Vacuum Belt Systems      |
|  Hugger Belt Systems     |  Split Belt Systems       |  Vertical Trunion Systems |
|  Indexing Roller Systems |  Tamp/Wipe Systems        |  Zero Down Time Systems   |



3501 8th Avenue South • St. Petersburg, FL 33711  
 North America 1-877-236-0266 • International 727-327-2123  
 universal1.com