

Compact Horizontal Cartoner KC-100F



- High-speed, 100% servo driven
- Compact design with continuous motion
- Quick, simple changeovers
- Ergonomic, easy to use design
- Designed to easily integrate with collation systems
- Simple maintenance
- Proven robust design

APPLICATIONS



Bottles



Snack Bars



Bakery Products



Pouches & Sachets



Personal Care

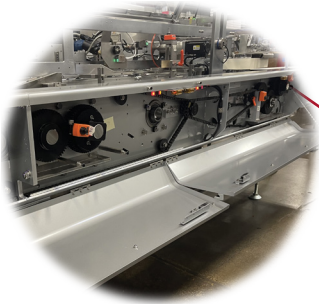


Stick Packs

HIGH SPEED, QUICK CHANGEOVER, EASY TO USE

MACHINE DETAILS

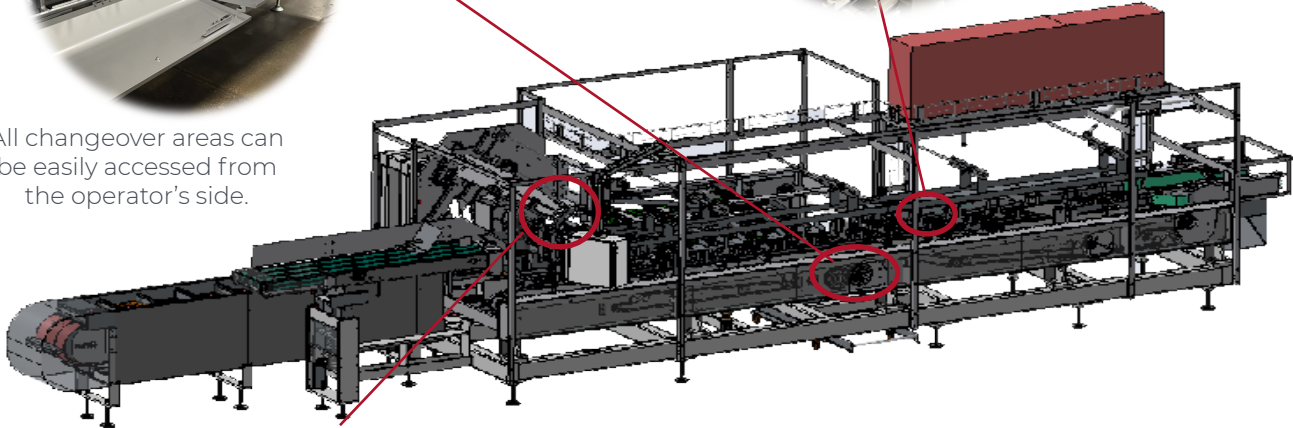
EASY CHANGEOVER



All changeover areas can be easily accessed from the operator's side.

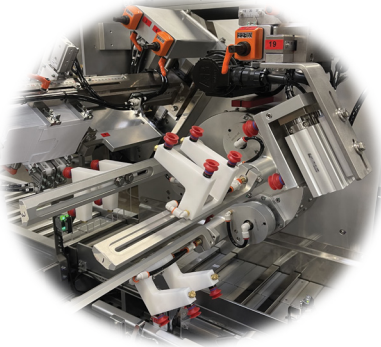
SIMPLE MAINTENANCE

Operators can access the machine's maintenance points easily and safely due to the KC-100F's compact design.



CARTON ERECTION

Our unique rotary feeder and pre-break mechanisms ensure the perfect carton shape. The KC-100F can handle various kinds of cartons.



A COMPACT DESIGN

With a width at just over 5ft and a length of just above 12ft, the KC-100F fits perfectly in even the smallest of spaces while maintaining high production speeds.

SPECIFICATIONS

	L	W	H	SPEED
7.5"	min: 2" max: 5.75"	min: 0.75" max: 2.5"	min: 4" max: 9.75"	max: 240 ppm
12"	min: 3" max: 9"	min: 1.5" max: 4"	min: 5" max: 14.5"	max: 150 ppm
15"	min: 3" max: 12"	min: 1.5" max: 6"	min: 5" max: 14.5"	max: 120 ppm

