

## TYING OPTIONS & ADD-ONS

Improved productivity and safety are vital to efficient, effective production. That's why we offer several additional machine options - so you can maximize the effectiveness of your Felins solution to better optimize your overall operations.

### VACUUM TAIL REMOVAL

Daily cleanup? Let the Vacuum Tail Removal (VTR) system do it for you.

This option automatically removes cut-offs and keeps the tying area clean. Not only will you need less frequent machine maintenance, your tying area will be cleaner and safer for operators.

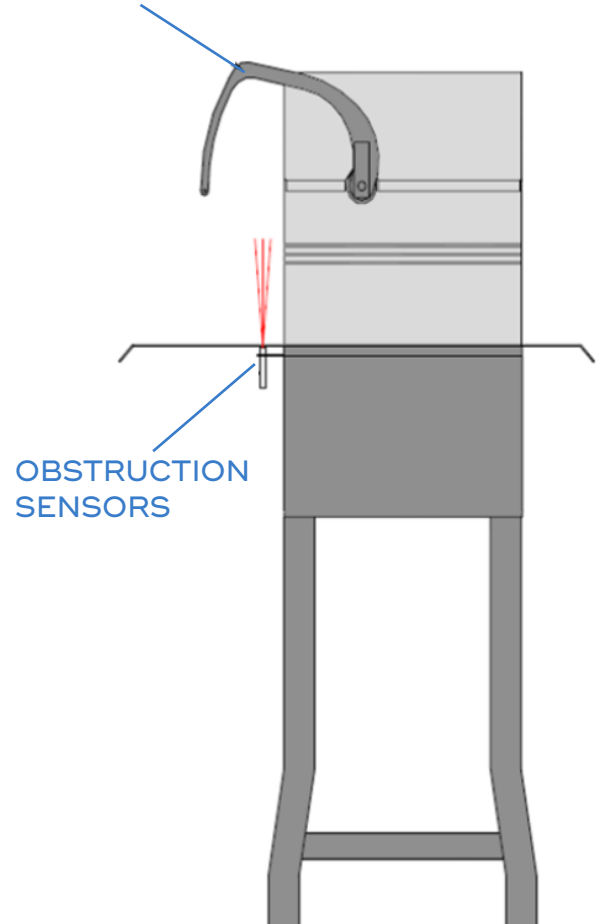
Available for all machine sizes, the VTR system is an easy way to save time AND money.

### OBSTRUCTION SENSORS

Your production floor is a busy place and accidentally activating a machine is a valid concern. With the addition of our obstruction sensors, you can feel comfortable that accidental activation is a thing of the past.

In addition to making your operators more comfortable with the machine, you will also eliminate product damage due to machine jams.

DELIVERY ARM



## MORE OPTIONS & ADD-ONS

### TANDEM ARMS

Double your efficiency with a second tying arm. Ideal for larger products, tandem arms will simultaneously make two individual ties on each bundle, prevent you from needing to feed products twice.

Depending on your product size or bundling requirements, the tandem arms can be spaced 6.5 to 8 inches apart.

### ACTIVATION METHODS

Whether you want extra control over your products or to achieve higher throughput, your Felins tying machine can be equipped with an activation method that's best for your production.

A foot trip can be placed on the floor next to your machine for easy operator access or, for even faster operation, product sensors can be added for automatic activation of your Pak-Tyer.

### A FELINS PARTNERSHIP

At Felins, we pride ourselves on developing strong partnerships with our customers. From inquiry to installation and training to preventative maintenance services, we'll help you find a custom solution that best optimizes your operations and minimizes packaging waste.

After all, we're inspired to create innovative alternatives because every packaging decision should help, not hurt, our planet.



**NEWAY**  **PACKAGING**  
CORPORATION

800.456.3929 | [www.newaypkg.com](http://www.newaypkg.com)  
[sales@newaypkg.com](mailto:sales@newaypkg.com)

**HAVE QUESTIONS? NEED A  
QUOTE? GIVE US A CALL!**